

FEATURES

Technology	Basic
Energy Metering	No
Metering per Input Line	No
Metering per Output Receptacle	No
Remote Outlet Switching	No
Ethernet Port	No
Networking Protocols	No
PDU Cascading	No
Power Share	No
Display	No
Residual Current Monitoring	No
USB Ports	No
Environmental Sensors	No

INPUT

Plug	IEC 60309 1P+N+E 6h 16A 250V SINGLE PHASE
Lead Length	3 meter
Cable Type	H05VV-F3G1.5 mm ²
Max. Input Load	16A
Rated Input Voltage	190-250V Single phase
Frequency	50-60Hz
Power Capacity	3680W

OUTPUT

Rated Output Voltage	190-250V Single phase
Output Types	24 IEX (C13/C19) combo (Max rate 16A) EN61984+UL498 certified
Overload Protection	None

CHASSIS

Dimensions (W x D x H)	772 x 55 x 55.4 mm
Color	RAL 9004 black powder coat
Mounting Options	4 mounting options (see page 2)
Required Torque for Mounting Screws	≥2.54N·m (25.9kgf·cm or 22.4 in·lbs)

OPERATING ENVIRONMENT

Temperature Range	0° to 60° C (30° to 140° F)
Humidity	0 - 95 %
Elevation	0 - 4000 Meters

CONFORMANCE

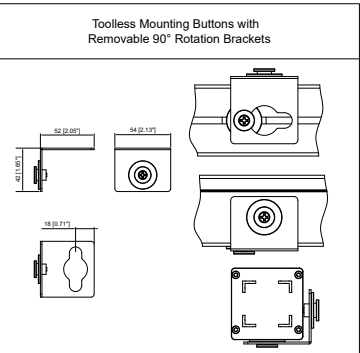
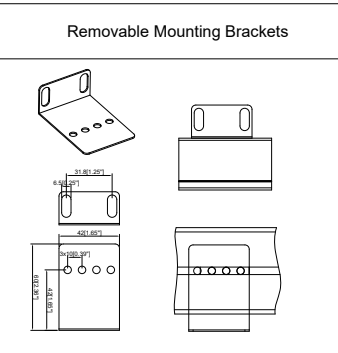
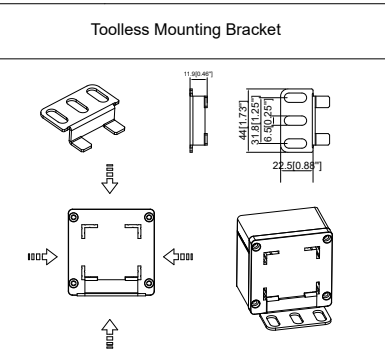
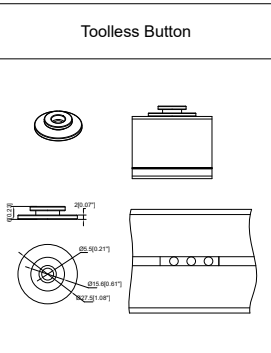
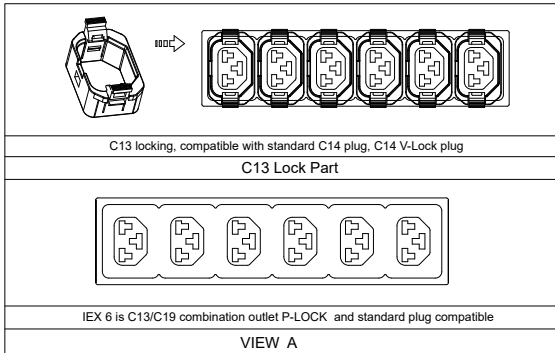
IEC 62368-1 (Third Edition)



1 2 3 4 5 6 7 8

A

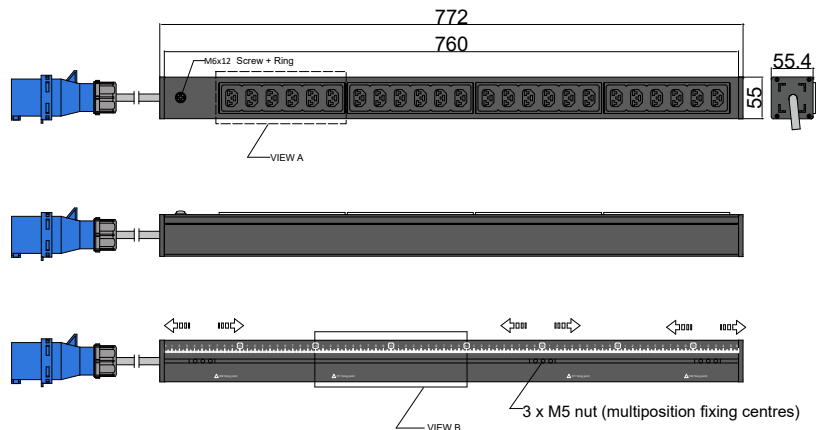
A



B

B

Chassis Color	Code
Black	Standard color
White	W
Red	R
Blue	A
Green	G
Orange	O
Grey	GY
Yellow	Y



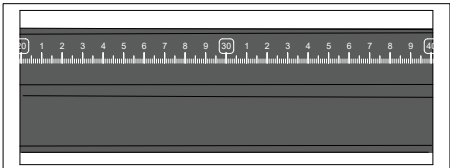
C

C

D

D

VIEW B:



Packing content:

IEX Lock-VP X24 Black

E

E

Basic Series	OUTPUT (24) IEX (C13/C19) combo Black (Max rate 16A)	OPERATING TEMPERATURE 0° to 60°C	Revisions		
			Rev	Description	Date
INPUT 190-250VAC 16A 50HZ IEC60309 16A 1P+N+E Plug 3m H05VV-F3G1.5mm ² Power Lead	BRANCH CIRCUITS	MOUNTING ACCESORIES (2) Toolless Button (2) Toolless Mounting Bracket (2) Removable Mounting Brackets (2) Toolless Mounting Buttons with Removable 90° Rotation Brackets			

DRAWING TYPE (NO PERMISSION, NO CHANGING)	IEX452416AV	
unit=mm	Housing	Aluminium
TECHNICAL STANDARD IT11; NO RUST NO FLAW ON THE SURFACE		Black Powder Coating
FILLET R0.5		RAL9004
ANGLE ±0.5°		
FIRST ANGLE		
	DATE 04-04-2023	

1 2 3 4 5 6 7 8

- Low cost locking solution at both ends
- Different colors available
- Patented IEX locking system
- Locking sleeve for C13 and C19 plugs
- VDE, UL approved

IEX PATENTED LOCKING SOCKET - POWER CORD SOLUTION



C14 - C13 Sleeve

H05VV-F3G1 mm²

Color	0,5M	1M	2M
Black	✓	✓	✓
Red	✓	✓	✓
Blue	✓	✓	✓

C14PLOCK - C13 Sleeve

H05VV-F3G1 mm²

Color	0,5M	1M	2M
Black	✓	✓	✓
Red	✓	✓	✓
Blue	✓	✓	✓

C20PLOCK - C19 Sleeve

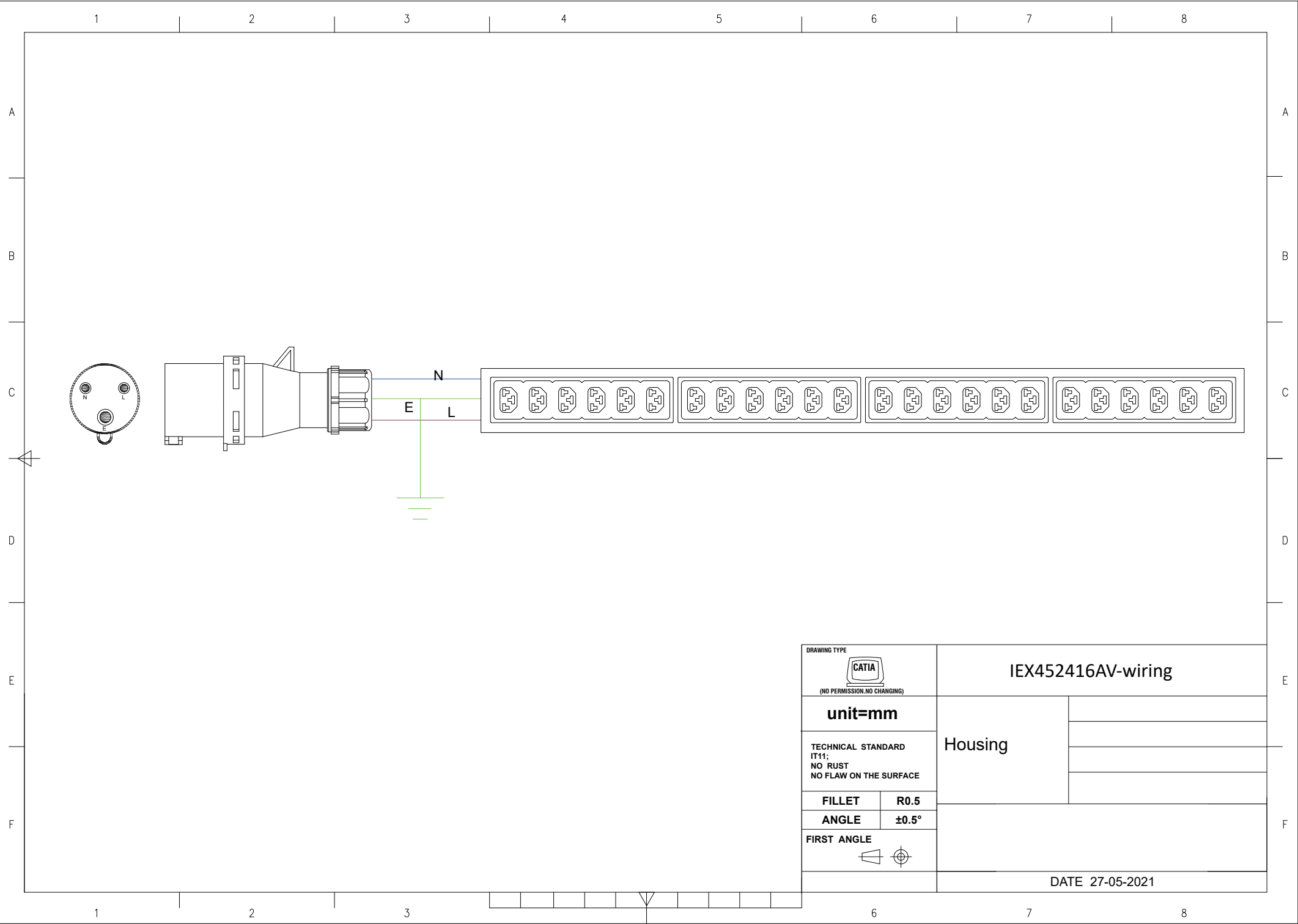
H05VV-F3G1,5 mm²


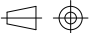
Color	1M	2M
Black	✓	✓
Red	✓	✓
Blue	✓	✓

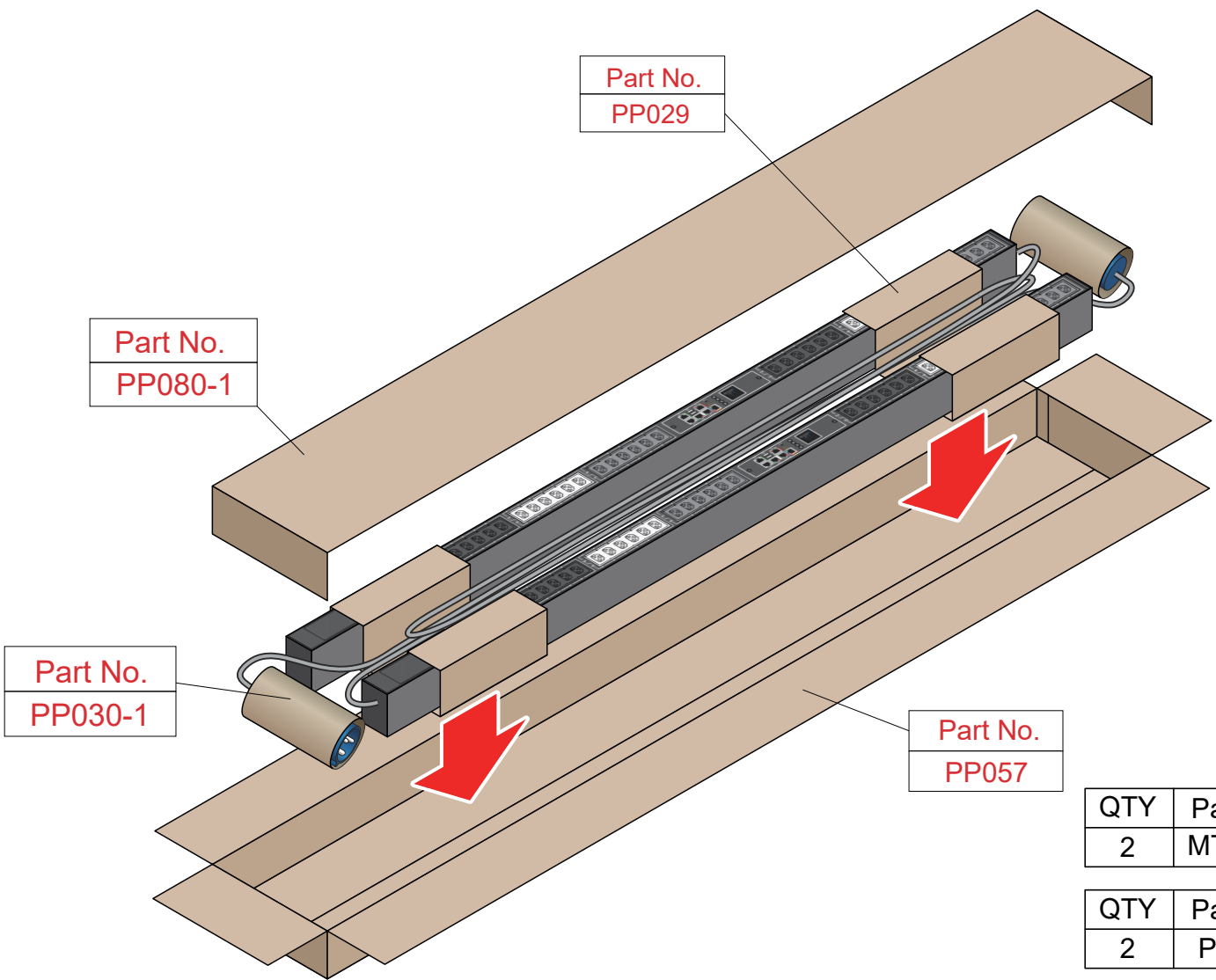
C20PLOCK - C13 Sleeve

H05VV-F3G1 mm²

Color	1M	2M
Black	✓	✓
Red	✓	✓
Blue	✓	✓



DRAWING TYPE		IEX452416AV-wiring	
 <small>(NO PERMISSION, NO CHANGING)</small>		Housing	
unit=mm			
TECHNICAL STANDARD IT11; NO RUST NO FLAW ON THE SURFACE			
FILLET	R0.5		
ANGLE	±0.5°		
FIRST ANGLE			
			
		DATE 27-05-2021	



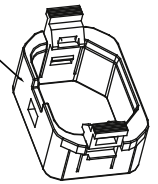
Part No.
PP029

Part No.
PP080-1

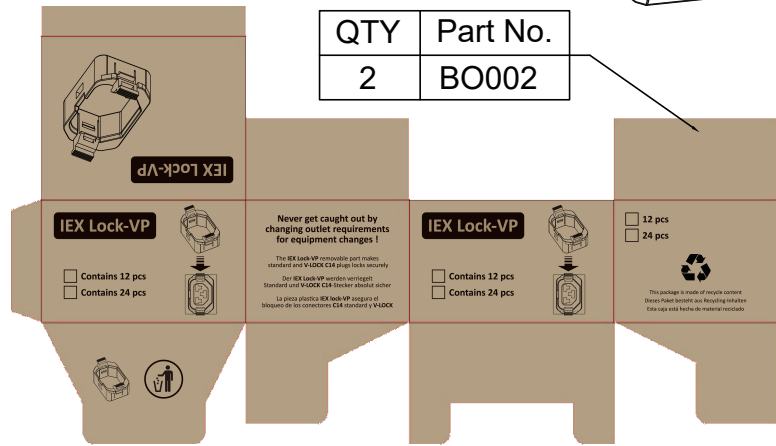
Part No.
PP030-1

Part No.
PP057

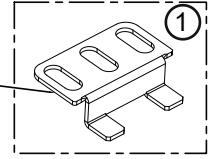
QTY	Part No.
24	IEXLOCKB



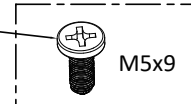
QTY	Part No.
2	BO002



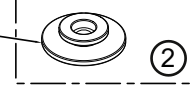
QTY	Part No.
2	MT190-1



QTY	Part No.
2	MT124-1

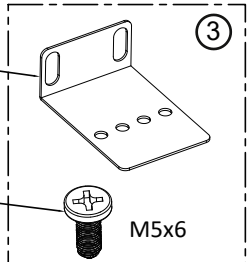


QTY	Part No.
2	PL178



QTY	Part No.
2	MT124-1

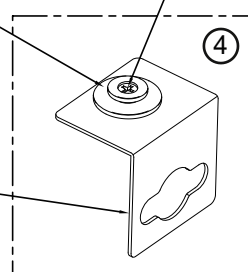
QTY	Part No.
2	MT190-2



QTY	Part No.
6	MT124



QTY	Part No.
2	PL178



QTY	Part No.
2	MT190-3

PK020
Section 22.5x7.2 cm Length 100 cm

Weight: 4kg(2 PDU)