

⚡ ⚠ DANGER

HAZARD OF ELECTRIC SHOCK. EXPLOSION, OR ARC FLASH

- Some outlet terminals have voltage on them when the LED is off.
- Disconnect the load power cord from this product prior to servicing the load equipment or the power cord.
- Always use a properly rated voltage sensing device to confirm that the power is off.

Failure to follow these instructions will result in death or serious injury.

Rack PDUS with Switched outlets only Switch one pole of the rack PDU outlet. Depending on the input wiring configuration. the unswitched terminal of the outlet may have voltage on when the outlet LED IS off.

NOTICE

EQUIPMENT DAMAGE HAZARD

The ambient operating temperature of a closed or multi-unit rack environment may be greater than the ambient temperature of the room. Ensure the ambient operating temperature of your rack environment does not exceed the rated ambient operating temperature for the Rack PM.

Failure to follow these instructions can result in equipment damage.

More information at: www.powertekpdus.com

© Powertek Industries Ltd. All Rights Reserved

11001-2119

Rack Power Distribution Units

INSTALLATION INSTRUCTIONS

SAFETY INSTRUCTIONS

SAVE THESE INSTRUCTIONS

This manual contains instructions and warnings that should be followed during the installation, operation, and storage of this product. Failure to follow these instructions and warnings will void the product warranty.



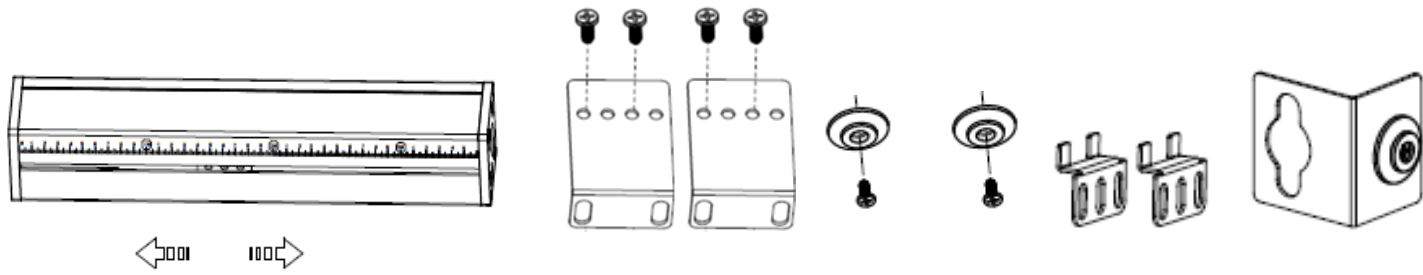
- This PDU provides convenient multiple outlets, but it DOES NOT provide surge or line noise protection for connected equipment.
- This PDU is designed for indoor use only in a controlled environment away from excess moisture, temperature extremes, conductive contaminants, dust or direct sunlight.
- Do not connect the PDU to an ungrounded outlet or to extension cords or adapters that eliminate the connection to the ground.
- The power requirement for each piece of equipment connected to the PDU must not exceed the individual outlet's load rating.
- The total power requirement for equipment connected to the PDU must not exceed the maximum load rating for the PDU.
- Do not drill into or attempt to open any part of the PDU housing. There are no user-serviceable parts inside.
- Do not attempt to modify the PDU, including the input plugs and power cables.
- Do not attempt to use the PDU if any part of it becomes damaged.
- Do not attempt to mount the PDU to an insecure or unstable surface.
- Never attempt to install electrical equipment during a thunderstorm

1- Receiving and unpacking

1.1- Check for shipping damage

Upon receipt, immediately inspect the package and report any damage to the carrier. Before installing, inspect the product for damage, confirm there are no missing parts, and report any issues to your Vericom representative.

1.2- Make sure all parts are received



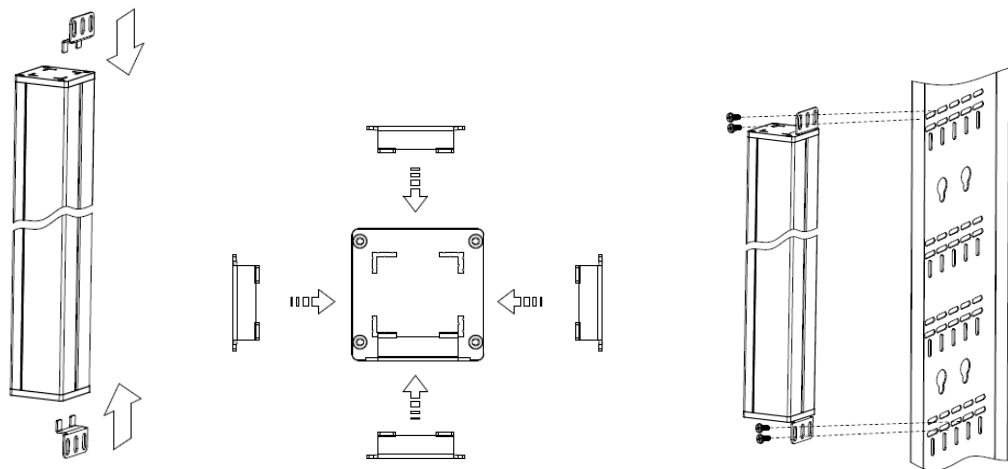
1.3- List of parts

Item	Quantity
Rack OU PDU	1
Toolless Mounting Brackets	2
Mounting brackets + (4) screws	2
Button mount + (2) screws	2
Button Mount bracket + (2) screws	2

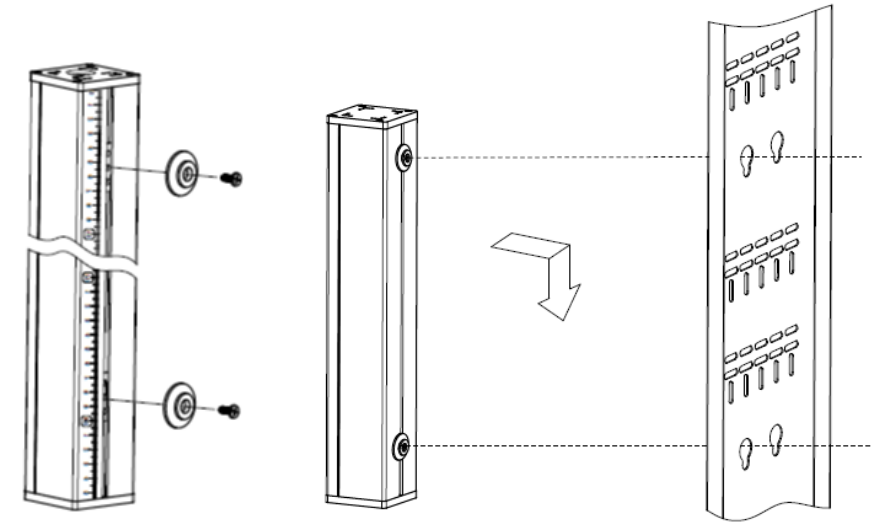
2- Mounting

2.1- Vertical Rack installation

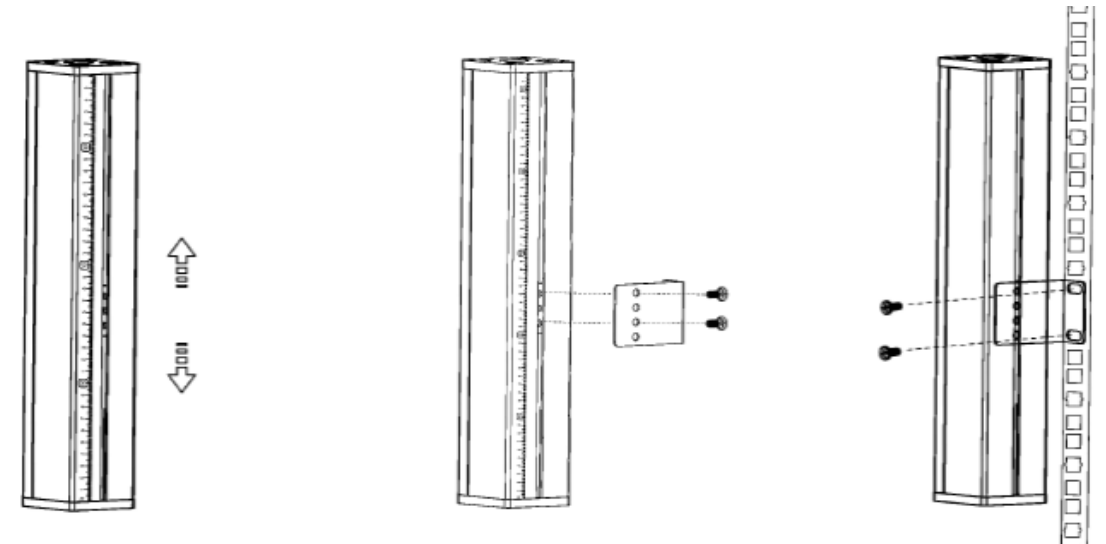
Option 1: Insert the toolless mounting brackets into the ends of the PDU (note the brackets can face all four sides of the PDU; be sure to insert them so that the outlets face the desired direction), then mount PDU to rack rails using user supplied mounting hardware.



Option 2: Fix the button mounts on your desired position (note the nuts to fix the button can move along the PDU), then mount the PDU into the button mount holes of your rack.



Option 3: Screw the brackets on your desired position (note the nuts to fix the button can move along the PDU), then mount the PDU to the rack rails using the user supplied mounting hardware.



Option 4: Fix the button mounts on your desired position (note the nuts to fix the button can move along the PDU), then mount the bracket into the button mount holes of your rack.

